

## Oxygen Compressor

# OXICOMP

Micro-controlled, low rpm,  
and oil free, to fill in cylinders



ceimsa

CHARACTERISTICS	OXICOMP 2	OXICOMP 3	OXICOMP 4
Input pressure	1 to 3,5 bar (14,5 to 50,75 psi)	2 to 6 bar (29 to 87 psi)	2 to 6 bar (29 to 87 psi)
Load pressure (selectable)	max 200 bar (2900 psi)	max 200 bar (2900 psi)	max 200 bar (2900 psi)
Maximum out flow	2310 l/h (2.31 m3/h)	3960 l/h (3.96 m3/h)	7340 l/h (7.34 m3/h)
Fill in capacity in 24 hours	120 cylinders of 2 lit	48 cylinders of 10 lit	88 cylinders of 10 lit
Maximum input pressure	200 bar (2900 psi)	200 bar (2900 psi)	200 bar (2900 psi)
Electricity power	230 V- 50/60 Hz	230 - 400 V- 50/60 Hz	230 - 400 V- 50/60 Hz
Engine power	2.2 Kw single phase (2.95HP)	3 Kw three phase (4.02 HP)	4 Kw three phase (4.02 HP)
Electricity consumption	2,4 Kw	3,2 Kw	4,2 Kw
RPM (very low)	28 rpm	28 rpm	24 rpm
Connection			
Weigh	310 Kg.	310 Kg.	340 Kg.
Dimensions (wheels 85 mm)	Length 545 x Width 570 x High 1020 mm.	Length 545 x Width 570 x High 1020 mm.	Length 600 x Width 600 x High 1200 mm.
Weigh packaged	364Kg	364 Kg	394 Kg
Volume packaged	0,67 m3 (880 x 840x 1390 mm mm)	0,67 m3 (880 x 840x 1390 mm mm)	1.27 m3 (880 x 840 x 1390 mm mm)

CHARACTERISTICS	OXICOMP 10	OXICOMP 12
Input pressure	2 to 5.4 bar (29 to 78 psi)	2 to 5 bar (29 to 72,5 psi)
Load pressure (selectable)	100 - 150 - 200 bar. (1450 2175 2900 psi)	100 - 150 - 200 bar. (1450 2175 2900 psi)
Maximum out flow	15100 l/h (15.1 m3/h)	30380 l/h (30.38 m3/h)
Fill in capacity in 24 hours	36 cylinders of 50 lit	72 cylinders of 50 lit
Maximum input pressure	200 bar. (2900 psi)	200 bar. (2900 psi)
Electricity power	230 - 400V- 50/60 Hz	230 - 400V- 50/60 Hz
Engine power	7,5 Kw three phase (10,05 HP)	15 Kw three phase (20,1HP)
Electricity consumption	7,7 Kw	15,2 Kw
RPM (very low)	14 rpm	16 rpm
Connection		
Weigh	970 Kg	1500 Kg
Dimensions (wheels 85 mm)	Length 1280 x Width 630 x High 1690 mm.	Length 1450 x Width 740 x High 2100 mm.
Weigh packaged	1125 Kg	1700 Kg
Volume packaged	2,5 m3 (1380x 880 x 2060 mm)	3.8 m3 (1550 x 990 x 2470 mm)

The high pressure OXICOMP oxygen compressors, oil-free, includes very low revolution-per-minute (RPM) special geared motors, making it possible to extend the time between maintenance checks.

With an innovative compression system, cooled by air and coolant. The oxygen leaves the booster at low temperature

The OXICOMP compressors use two external oil free floating pistons. These pistons are mounted, with the use of rods, on a transverse axis which acts as crankshaft, facilitating the easy removal of the cylinder-piston-rod assembly for maintenance operations.

The pistons may be very easily dismantled in order to carry out a replacement or a simple change of segments (rings). Similarly, there are external stainless steel valves, linings and o-rings manufactured with anti-explosion treatment and designed for heavy-duty work.

Our Oxygen Compressor is CE certified and can compress oxygen, helium, nitrogen and other clean and dry gases.



OXICOMP 10

Rv: 1-03/01/2013 Ceimsa reserves the right to change specifications or dimensions without prior notice.

**CEIMSA ELECTROMEDICINA S.L.**  
Poligono Mugazuri, 6 A 31600 BURLADA (Navarra) SPAIN  
Tel.: 34 948 131 776 - Fax: 34 948 124 470  
e-mail: [ceimsa@ceimsa.es](mailto:ceimsa@ceimsa.es) <http://www.ceimsa.es>



## Oxygen Compressor

# OXICOMP

Micro-controlled, low rpm,  
and oil free, to fill in cylinders

### STANDARD COMPONENTS

- Electronic circuit
- Switchboard
- Geared motors
- Lower & Upper pistons
- Refrigeration elements
- Start/Stop Buttons
- Emergency Stop
- Incoming oxygen deposit
- Incoming pressure regulator
- Pressure transducer
- Safety valve
- Decompression valve
- Non return valve
- Refrigerant ventilator

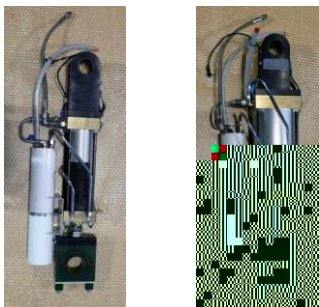
### FEED THE CYLINDERS AUTOMATICALLY

When the input pressure falls below the designated value, the booster stops and remains in stand by position until the pressure reach the minimum required. Once the system is balanced then the booster will start automatically. The booster also stops automatically when the cylinders are full.

### MAINTENANCE

The average lock washer lifespan at 200 bar is 4.000 hours. We recommend you to have a spare part set of lock washers and a spare part module (upper and lower piston) for quick replacements in case of testing or breakdowns.

### RECOMMENDED SPARE PARTS



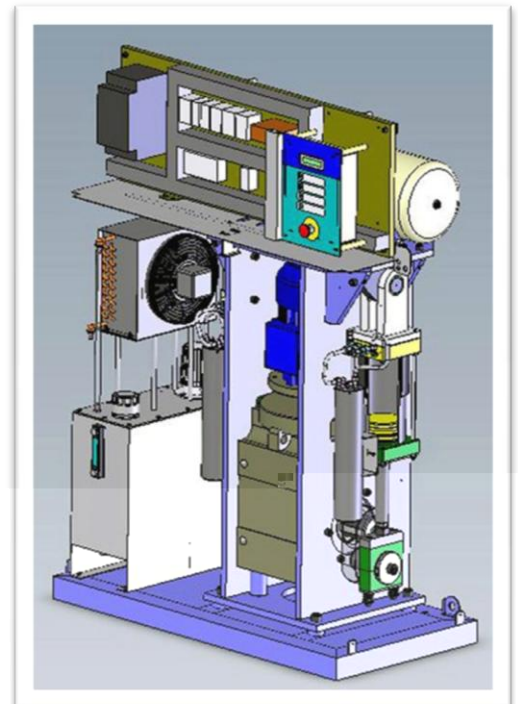
Upper and Lower pistons



Set of lock washers



OXICOMP 3



Patented system  
201100190